

# Fast Recovery Rectifier

## RS2ABF--RS2GBF

### Features

- For surface mounted applications
- Low profile package
- Low forward voltage drop
- High surge current capability
- RoHS Compliant



### Mechanical Data

- Case: SMBF molded plastic
- Molding compound, UL flammability classification rating 94V-0
- Terminals: Solder plated, solderable per MIL- STD-202, Method 208
- Polarity: Color band denotes cathode end

### Maximum Ratings (@T<sub>A</sub> = 25°C unless otherwise specified)

Characteristic	Symbol	RS2ABF	RS2BBF	RS2DBF	RS2GBF	Units
Peak repetitive reverse voltage	V <sub>RRM</sub>	50	100	200	400	V
RMS reverse voltage	V <sub>RMS</sub>	35	70	140	280	V
DC blocking voltage	V <sub>DC</sub>	50	100	200	400	V
Maximum average forward output current	I <sub>F(AV)</sub>	2.0				A
Peak forward surge current, 8.3ms single half-sine-wave	I <sub>FSM</sub>	50				A

### Thermal Characteristics

Parameter	Symbol	RS2ABF	RS2BBF	RS2DBF	RS2GBF	Units
Typical thermal resistance (Note 1)	R <sub>θJA</sub>	65				°C/W
	R <sub>θJC</sub>	16				
	R <sub>θJL</sub>	15				
Operating junction temperature range	T <sub>J</sub>	- 55 ---- + 150				°C
Storage temperature range	T <sub>STG</sub>	- 55 ---- + 150				°C

Note:

1. Device mounted on PCB with 10 mm x 20 mm x 0.1mm copper pad areas

**Fast Recovery Rectifier**
**RS2ABF--RS2GBF**
**Electrical Characteristics** (@ $T_A = 25^\circ\text{C}$  unless otherwise specified)

Parameter	Symbol	Test conditions		Typ.	Max.	Units
Maximum instantaneous forward voltage	$V_F$	$I_F=2.0\text{A}$	@ $T_A=25^\circ\text{C}$	--	1.3	V
Maximum Reverse current	$I_R$	Rated $V_R$	@ $T_A=25^\circ\text{C}$	--	5	$\mu\text{A}$
			@ $T_A=125^\circ\text{C}$	--	200	
Maximum Reverse Recovery Time	$t_{rr}$	$I_F=0.5\text{A}, I_{RM}=1\text{A}, I_{R(REC)}=0.25\text{A}$		--	150	ns

# Fast Recovery Rectifier

# RS2ABF--RS2GBF

## Ratings and Characteristic Curves ( $T_A=25^\circ\text{C}$ unless otherwise noted)

Fig.1-Forward Current Derating Curve

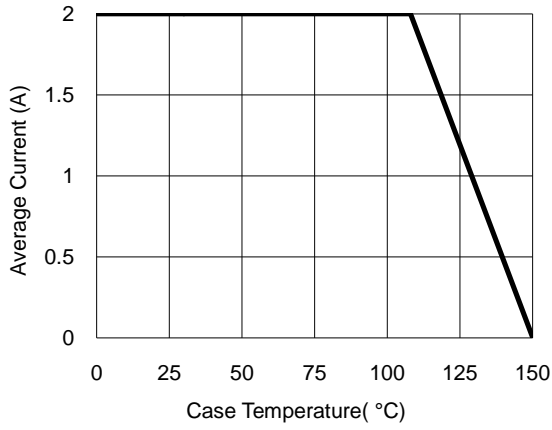


Fig.2- Surge Current Derating Curve

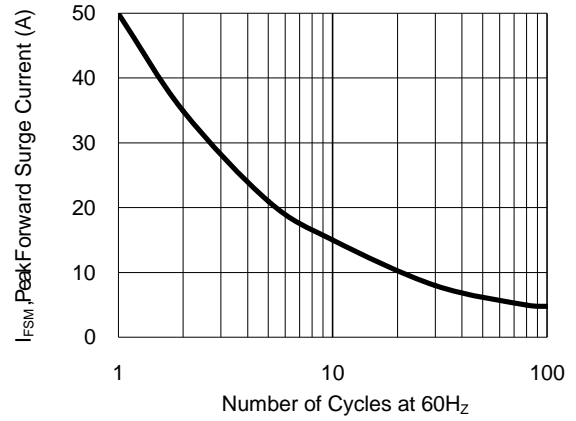


Fig.3- Typical Forward Voltage Characteristic

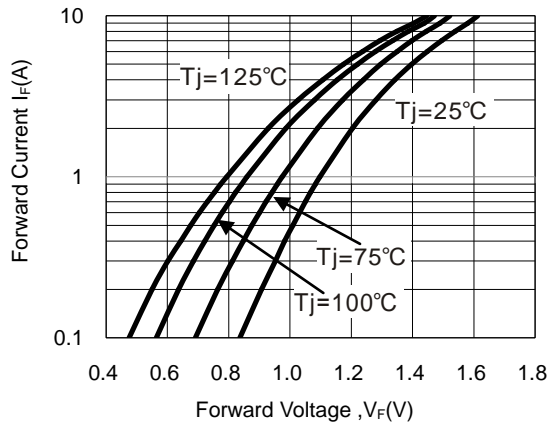
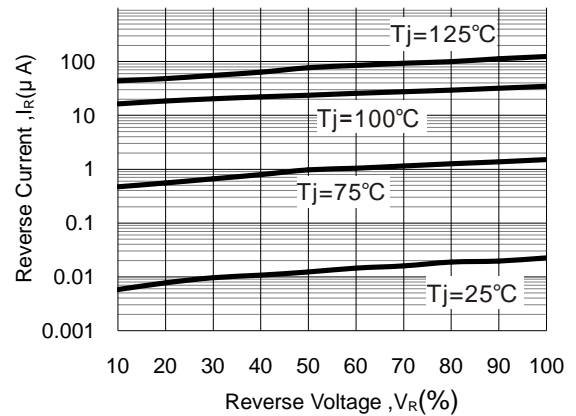


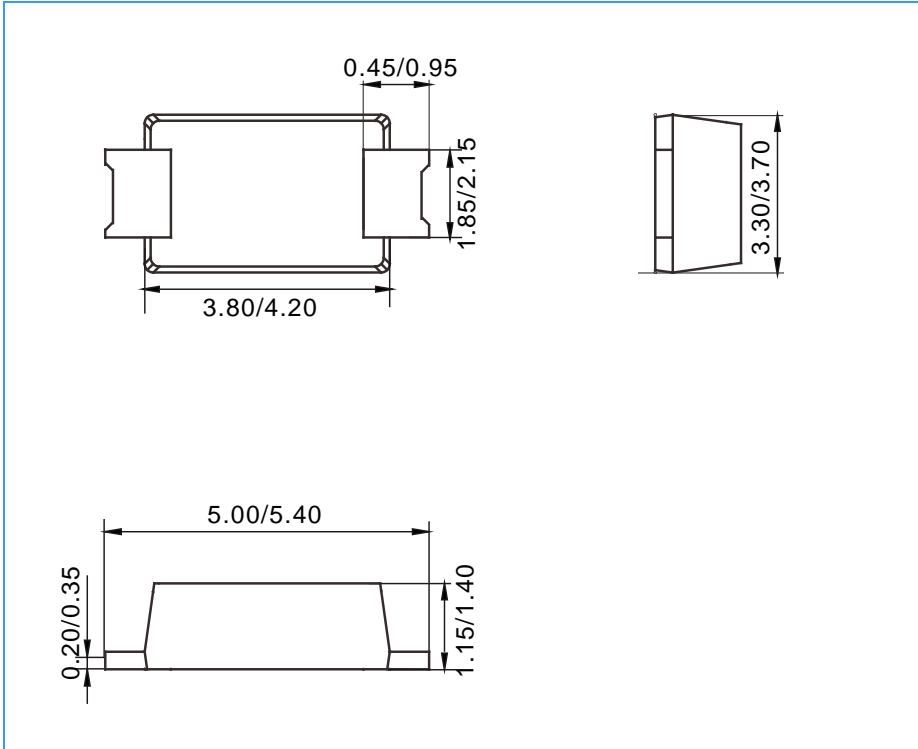
Fig.4- Typical Reverse Characteristic



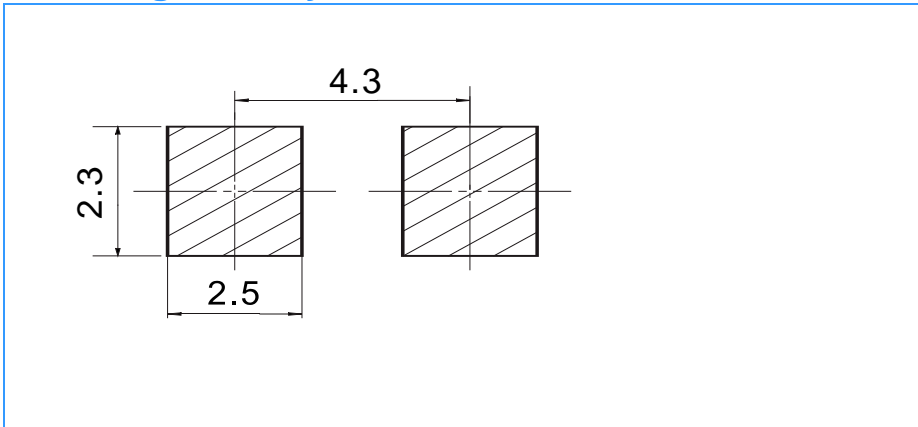
## Fast Recovery Rectifier

RS2ABF--RS2GBF

### Package Outline Dimensions(unit:mm)



### Mounting Pad Layout(unit:mm)



### Ordering Information

Part No.	Marking	Package	Shipping
RS2ABF	RS2ABF	SMBF	4000/Tape&Reel
RS2BBF	RS2BBF	SMBF	4000/Tape&Reel
RS2DBF	RS2DBF	SMBF	4000/Tape&Reel
RS2GBF	RS2GBF	SMBF	4000/Tape&Reel